

ST-MKDSP 3/5

Order No.: 1718207

<http://eshop.phoenixcontact.de/phoenix/treeViewClick.do?UID=1718207>

Test connector, 5-pos., with 2 mm test pins, gold-plated test pins

Commercial data

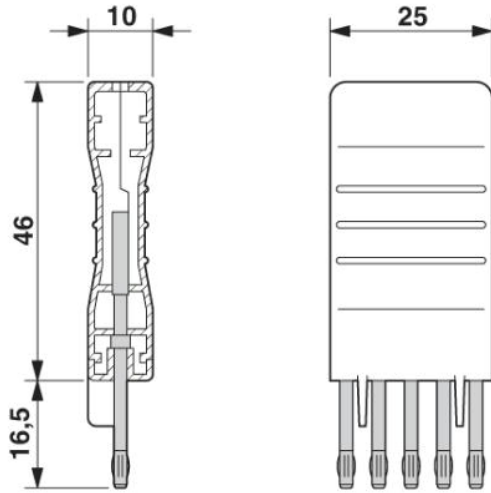
EAN	4017918024819
Pack	10 Pcs.
Customs tariff	85369010
Weight/Piece	0.01411 KG
Catalog page information	Page 466 (CC-2007)

Product notesWEEE/RoHS-compliant since:
01/01/2003

<http://www.download.phoenixcontact.com>
Please note that the data given here has been taken from the online catalog. For comprehensive information and data, please refer to the user documentation. The General Terms and Conditions of Use apply to Internet downloads.

Drawings

Dimensioned drawing



Address

PHOENIX CONTACT Inc., USA
586 Fulling Mill Road
Middletown, PA 17057, USA
Phone (800) 888-7388
Fax (717) 944-1625
<http://www.phoenixcon.com>



© 2008 Phoenix Contact
Technical modifications reserved;